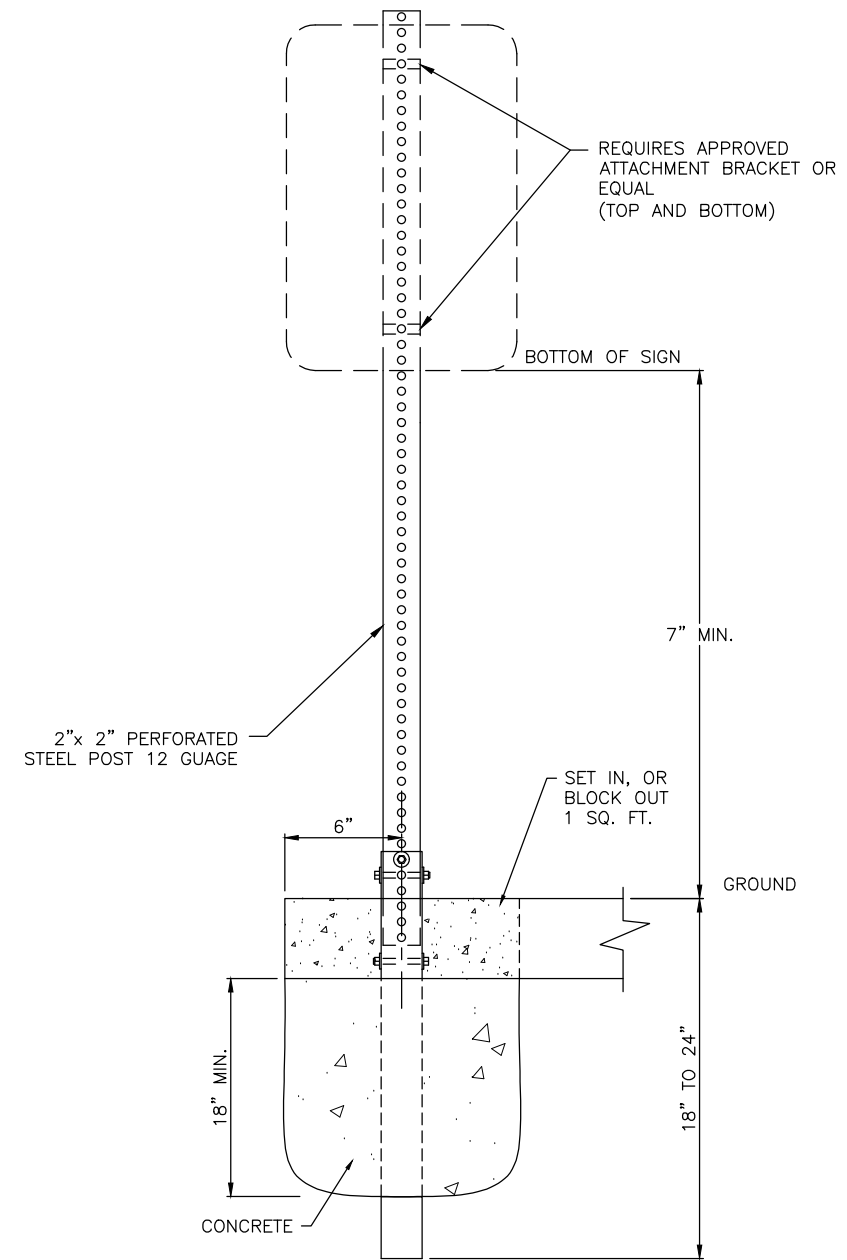


TYPICAL SIGN POST INSTALLATION
N.T.S.



R7-1

NOTES:

1. SEE R-200 FOR DETAILS ON BASE.
2. IF ROW PERMITS SIGN POST INSTALLATION BEHIND SIDEWALK, 12"-18" FROM BACK OF WALK PREFERRED.
3. NO PARKING SIGN MAY USE "HERE TO CORNER" IN PLACE OF "ANY TIME" OR AS SPECIFIED BY THE CITY.
4. REGULATORY MUTCD SIGNS THICKNESS 0.080-IN ALUMINUM SHEET FOR 36-IN AND SMALLER SIZES.

**STANDARD DETAIL
SIGN PLACEMENT
NEAR SIDEWALKS**



SCALE: AS SHOWN	DESIGNED	DRAWN	CHECKED	REVISIONS			
				DATE	INITIAL	DATE	INITIAL
				09/21	CAW	01/12/2022	AJS
				03/31/2023	JTB	03/31/2025	JTB

DETAIL NO.
R-210

PAGE
1 of 1